

## MP130 Firmware Release Notes

---

Release Date: 2023.11.30  
MP130 V2 Firmware Version: MP130V2\_V02.03.01.22  
handheld microphone: V1.0.4

### The corresponding firmware and software versions:

    czi Assistant APP: V1.0.6

    czi App: V1.6.8

#### **DJI M300 RTK+DJI Smart ControllerEnterprise**

    Aircraft firmware: V07.00.01.00

    Remote control firmware: V07.00.01.01

    DJI Pilot 2 App: V7.0.2.5

#### **DJI M300 RTK + DJI RC Plus**

    Matrice 300 RTK: V58.00.00.10

    DJI RC Plu: V02.02.05.07

    DJI Pilot 2 App: V8.0.0.38

#### **DJI M350 RTK+DJI RC Plus**

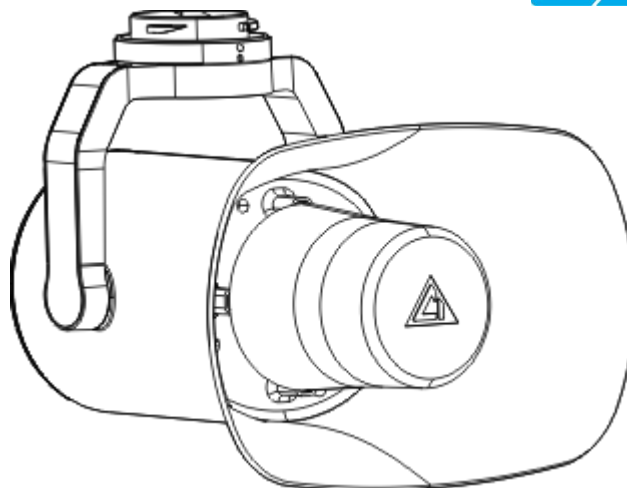
    Matrice 350 RTK: V08.00.00.04

    DJI RC Plu: V02.02.05.07

    DJI Pilot 2 App: V8.0.0.38

## Update content

1. PSDK \_ 370 \_ 1905 has been updated.



## Fix the issue

1. Fixed the DJI Pilot2 PTZ load voltage low alarm.
2. Fixed an issue where MP130S 4G function could not play server connection successfully

## Known Issues

1. When using 4G function, czi app will play music and background sounds at the same time, which will cause the app to blink out with a small probability.
- 2.The MP130V2 may not be able to adjust the volume on the M350 .
- 3.DJI pilot2 real-time shout occasionally no sound, it is recommended that a single real-time shout control within 25 seconds

## Pay attention:

1. M350 pilot real-time shouting issue, it is recommended to use recorded shouting;
2. M300 pilot real-time shouting issue, it is recommended to use floating window real-time shouting, or use recorded broadcasting method.

## MP130 V2 Firmware Release Notes

---

Release Date: 2023.10.28

MP130 V2 Firmware Version: MP130V2\_V02.02.02.21

handheld microphone: V1.0.4

### The corresponding firmware and software versions:

czy Assistant APP: V1.0.6

czy App: V1.6.8

DJI Skyport V2: V01.03.05.00

#### **DJI M300 RTK+DJI Smart ControllerEnterprise**

Aircraft firmware: V07.00.01.00

Remote control firmware: : V07.00.01.01

DJI Pilot 2 App: V7.0.2.5

#### **DJI M300 RTK + DJI RC Plus**

Matrice 300 RTK: V58.00.00.10

DJI RC Plu: V02.02.05.07

DJI Pilot 2 App: V8.0.0.38

#### **DJI M350 RTK+DJI RC Plus**

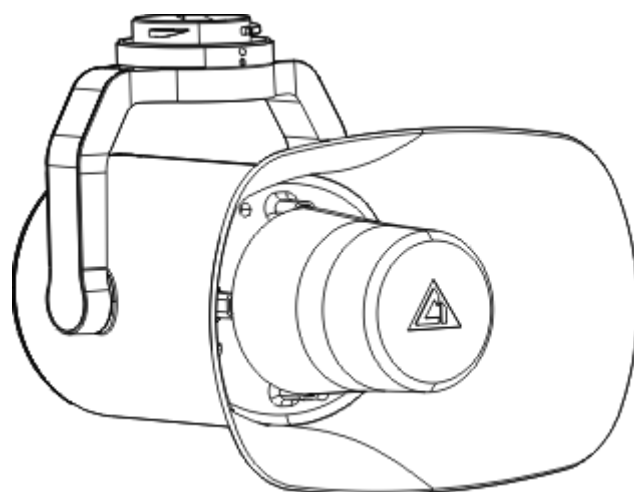
Matrice 350 RTK: V08.00.00.04

DJI RC Plu: V02.02.05.07

DJI Pilot 2 App: V8.0.0.38

## Update content

1. Add a one-click siren function.
2. Added DJI Pilot 2 PSDK control real-time shout function.
3. It has fixed the failure of playing the real-time shouting in the floating window of czi Assistant App.
4. Added the DJI Pilot 2 PSDK to delete audio buttons.
5. Adapted to psdk360 \_ 1883.



## Pay attention:

1. The MP130S/MP130V2 does not support firmware upgrades using DJI Assistant software.
2. Do not insert the firmware compressed file .rar into the TF card and unzip it, as it may lead to upgrade failure.

## MP130 V2 Firmware Release Notes

---

Release Date: 2023.05.10  
MP130 V2 Firmware Version: MP130V2\_V02.01.4.46  
handheld microphone: HM30\_01.00.02.37

**The corresponding firmware and software versions:** czi Assistant APP: V1.0.7

czi App: V1.6.8

### **DJI M300 RTK+DJI Smart ControllerEnterprise**

Aircraft firmware: V07.00.01.00

Remote control firmware: V07.00.01.00

DJI Pilot 2 App: V7.0.1.1

### **DJI M350 RTK+DJI RC Plus**

Aircraft firmware: V07.00.00.01

Remote control firmware: V01.02.04.40

DJI Pilot 2 App: V7.0.1.0

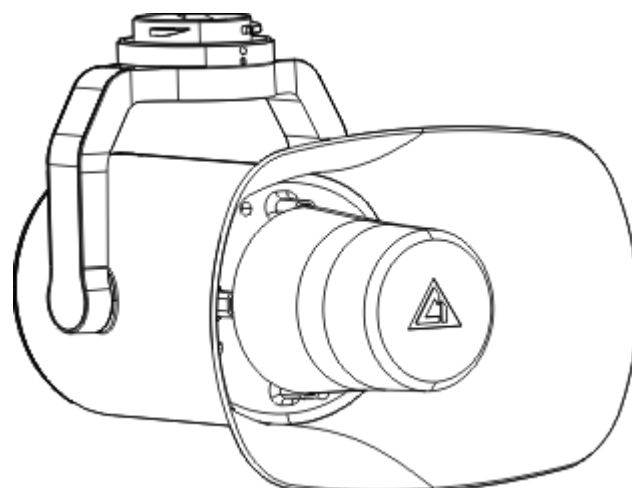
---

### **Update content**

1. Adapted for M350 drone.
2. Updated PSDK\_350\_1765.

### **Fix the issue**

1. Fixed other known issues.



## Known Issues

1. MP130S floating window plays background music. Clicking to switch to loop mode will start background music playback, and you can click the play/stop button to close it.
2. When testing the mounting of the MP130 loudspeaker with the H20 camera gimbal on the drone, it was observed that the MP130 loudspeaker does not follow the rotation of the camera when adjusting the camera's pitch angle in the H20 camera view.
3. When using the floating window recording and broadcasting function, after clicking to play the audio, it is not possible to stop the audio playback.
4. When playing audio with the recording broadcast feature, adjusting the volume using the slider will cause the audio to stop playing.

## Pay attention:

1. MP130S/MP130V2 currently does not support firmware upgrades through the DJI Assistant software.
2. To upgrade MP130S/MP130V2, you need to prepare a TF card and copy the firmware into the TF card for upgrading.

## MP130 V2 Firmware Release Notes

---

Release Date: 2023.03.03

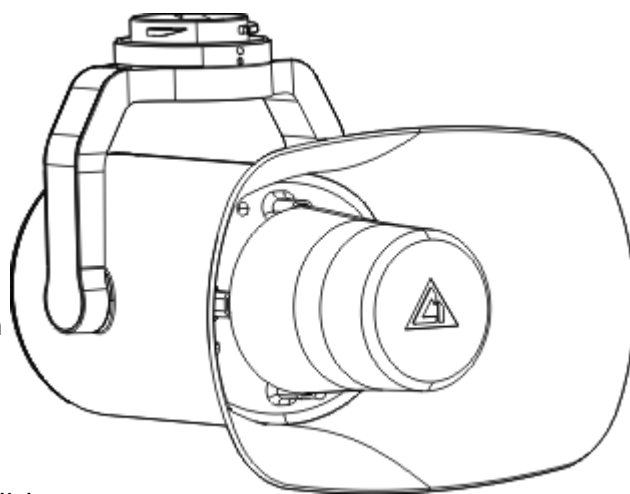
MP130 V2 Firmware Version: MP130V2\_V02.01.4.45

### The corresponding firmware and software versions:

---

#### Update content

1. Adapt the M300 drone V5 version based on PSDK330.
2. Add Pilot recording broadcast control, TTS text-to-speech control, and volume adjustment control.
3. Add Pilot floating window volume display, firmware version number display, and SN code display.
4. Add TTS language and speed selection and save function.
5. Add the feature of broadcasting the version number in English.
6. Updated PSDK\_330\_1684.



#### Fix the issue

1. Fixed the issue of unsynchronized volume values between the icon control widget and the floating window volume.
2. Fixed other known issues.

#### Known Issues

1. MP130S floating window plays background music. Clicking to switch to the loop mode will start playing the background music, and you can click the play/stop button to close it.

#### Pay attention:

1. MP130S/MP130V2 currently does not support firmware upgrades through the DJI Assistant software.
2. To upgrade MP130S/MP130V2, you need to prepare a TF card and copy the firmware into the TF card for upgrading.

## MP130 V2 Firmware Release Notes

---

Release Date: 2022.06.17

MP130 V2 Firmware Version: MP130V2\_V02.01.4.39

**The corresponding firmware and software versions:**

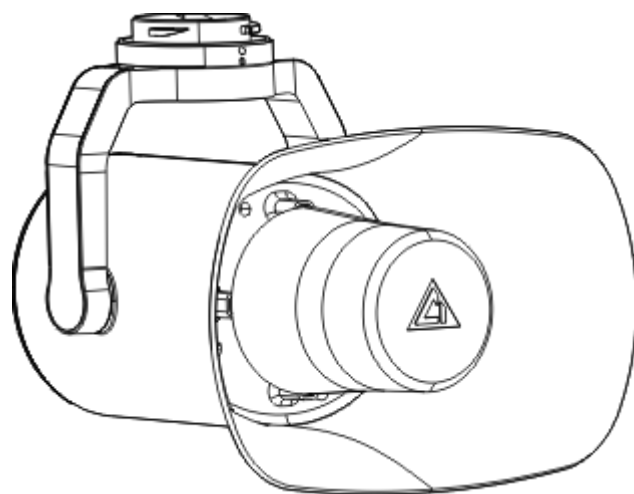
---

### Update content

1. Adapt for PSDK310.
2. Adapt for Pilot 2.

### Fix the issue

1. Optimize the loudspeaker media functionality.
2. Fix the issue of the MP130 V2 being unable to read the song directory properly.
3. Fix other known issues.





## MP130 V2 Firmware Release Notes

---

Release Date: 2022.03.24

MP130 V2 Firmware Version: MP130V2\_V02.01.4.30

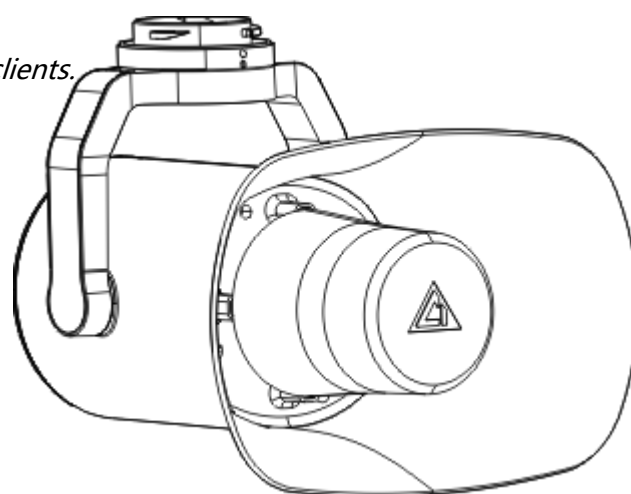
**The corresponding firmware and software versions:**

---

*\*Real-time mp3 announcement using sox for international clients.*

### **Fix the issue**

1. Correctly display the MUSIC path for MP130V2.



## MP130 V2 Firmware Release Notes

---

Release Date: 2022.03.11

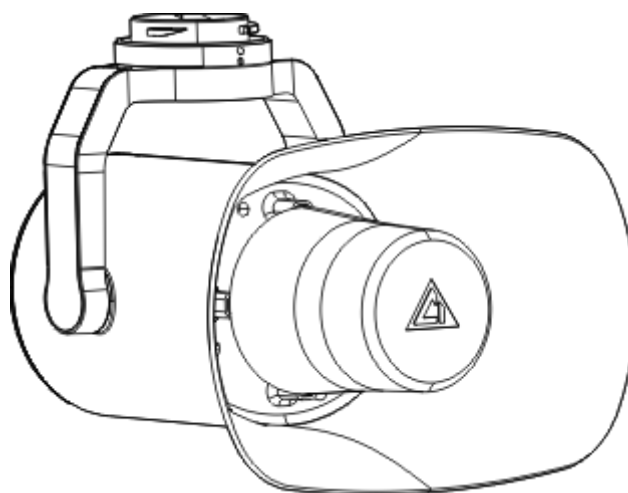
MP130 V2 Firmware Version: MP130V2\_V02.01.4.29

**The corresponding firmware and software versions:**

---

### Update content

1. Support PSDK300.
2. Support dialects.



## MP130 V2 Firmware Release Notes

---

Release Date: 2021.09.22

MP130 V2 Firmware Version: MP130V2\_V02.01.03.1

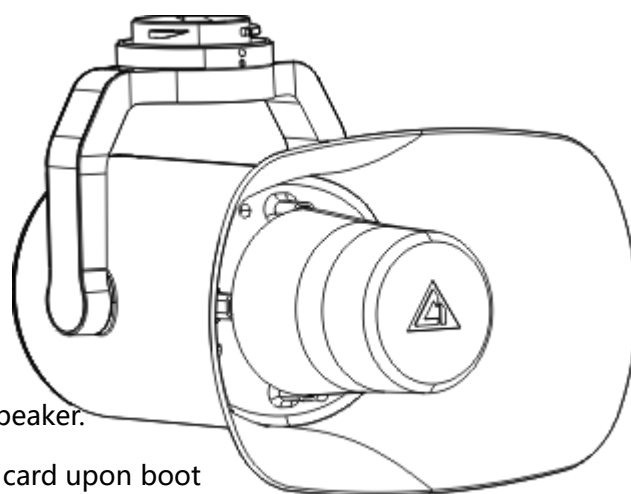
### The corresponding firmware and software versions:

---

*\* (The first program for third-party integration.)*

### Update content

1. The function of GPI Ethernet port.
2. Automatically encrypt and compress log files to the SD card upon each boot.
3. Support for modifying the IP and netmask of the loudspeaker.
4. Support for automatically reading cfg.json from the SD card upon boot and overwriting it to the memory.
5. Real-time announcement of mp3 using sox.
6. psdk high power.



## MP130 V2 Firmware Release Notes

---

Release Date: 2021.09.06

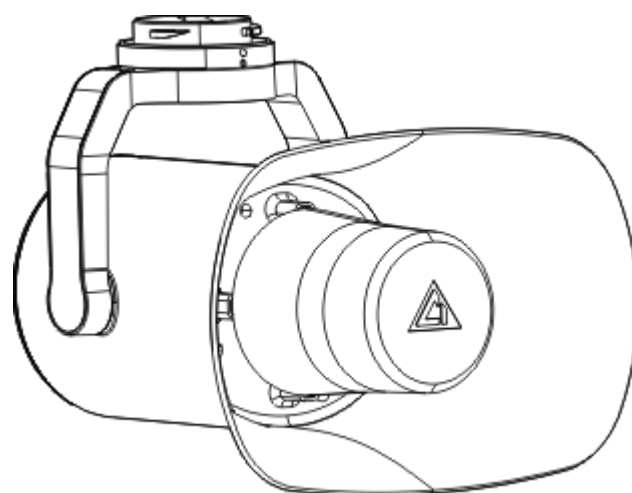
MP130 V2 Firmware Version: MP130V2\_V02.01.02.11

### The corresponding firmware and software versions:

---

#### Update content

1. Add configuration settings for lowFreq and highFreq for audio processing.
2. Add background audio processing to sox.



#### Fix the issue

1. Fixing the thread conflict issue in the media operation JSON file.
2. Fixing the issue of program crashing due to long-term excessive printing of information by GPI.
3. Fix the issue of no sound after pausing and resuming playback.