

MP140-22 Firmware Release Notes

Release Date: 2023.09.01
MP140-22 Firmware Version: MP140-22_V03.03.03.03
handheld microphone: V01.01.01.04

Supported Products and Firmware Version: czi Assistant APP: V1.0.8

czi App: V1.6.8

DJI M300 RTK+DJI Smart ControllerEnterprise

Aircraft firmware: V07.00.01.00

Remote control firmware: V07.00.01.00

DJI Pilot 2 App: V7.0.1.1

DJI M350 RTK+DJI RC Plus

Aircraft firmware: V07.00.01.46

Remote control firmware: V01.02.04.40

DJI Pilot 2 App: V7.0.1.0

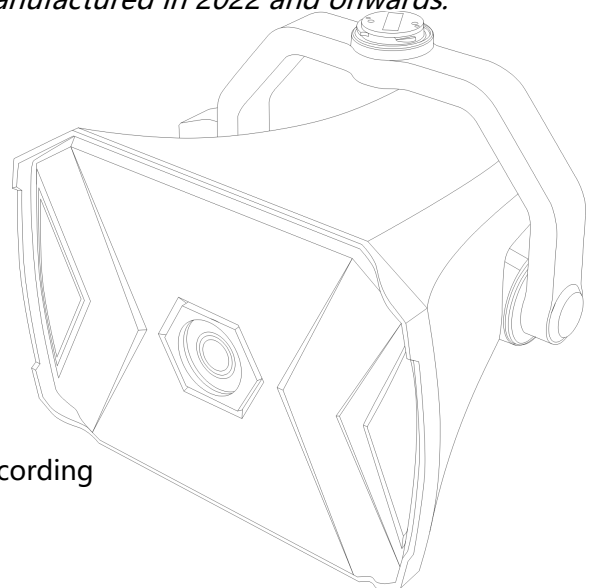
**This firmware version only supports MP140 devices manufactured in 2022 and onwards.*

Update content

1. Adapt for the DJI M350 drone.

Fix the issue

1. Fix the issue of stuttering during real-time voice communication between the handheld microphone and the floating window.
2. Fix the issue of sliding the volume bar during voice recording causing no sound.
3. Fix some known issues.



Attention:

1. The use of handheld microphones may be affected by weather conditions or unstable transmission of certain communication cards in certain areas, resulting in incomplete voice transmission.
2. When using real-time voice transmission, please use it in a noise-free environment, as excessive noise may affect the functionality of real-time voice transmission.

MP140-22 Firmware Release Notes

Release Date: 2023.05.08

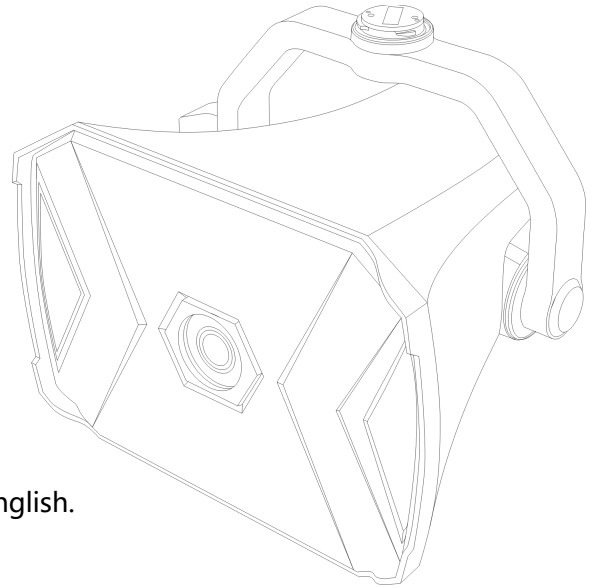
MP140-22 Firmware Version: MP140-22_V03.02.00.06

Supported Products and Firmware Version:

**This version of firmware only supports MP140 devices manufactured in 2022 and onwards.*

Update content

1. Adapt to DJI M300 drone version V5 and above.
2. Add Pilot floating window volume display, firmware version display, and SN code display.
3. Add functionality to save TTS language selection and speech speed selection.
4. Synchronize CZI APP angle adjustment information
5. Add functionality to announce the version number in English.



Fix the issue

1. Fix the issue in CZI APP where the aircraft fails to automatically restore to a 90-degree angle when positioned within 5 meters.
2. Fix some known issues.

MP140-22 Firmware Release Notes

Release Date: 2022.09.26

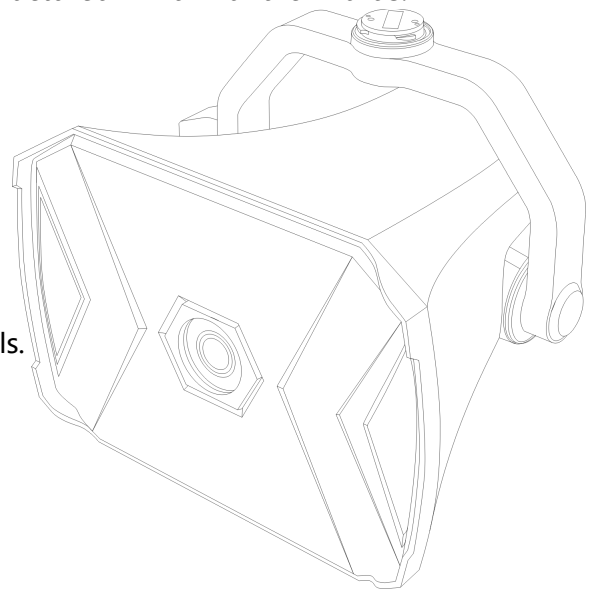
MP140-22 Firmware Version: MP140-22_V03.02.00.03

Supported Products and Firmware Version:

**This firmware version only supports MP140 devices manufactured in 2022 and onwards.*

Update content

1. Adapt to the latest DJI PSDK, supporting real-time voice broadcasting and recorded voice broadcasting.
2. Pilot2 supports the playback of long texts in multiple languages, including dialects and various foreign languages.
3. State synchronization between CZI APP and PSDK controls.



Fix the issue

1. Fix the issue of occasional errors in loop playback.
2. Fix the issue of occasional real-time audio distortion in CZI APP.

MP140-22 Firmware Release Notes

Release Date: 2022.06.23

MP140-22 Firmware Version: MP140-22_V03.00.02.46

Supported Products and Firmware Version:

Update content

1. Use relatively stable firmware for delivery.