

ES264/638/838 Firmware Release Notes

Release Date: 2023.12.11
ES264/638/838 Firmware Version: PSDK_ESS_3_7Z.cz

Supported Products

and Firmware Version: czi Assistant APP: V1.0.6/V1.0.7

DJI M300 RTK+DJI Smart ControllerEnterprise

Aircraft firmware: V07.00.01.00

Remote control firmware: V07.00.01.01

DJI Pilot 2 App: V7.0.2.5

DJI M300 RTK+DJI RC Plus

Aircraft firmware: V58.00.00.10

Remote control firmware: V02.02.05.07

DJI Pilot 2 App: V8.0.0.38

DJI M350 RTK+DJI RC Plus

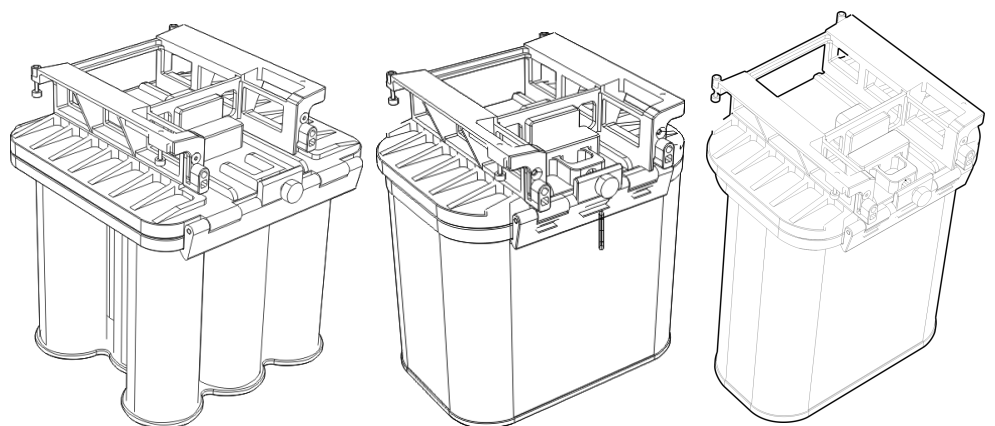
Aircraft firmware: V08.00.00.04

Remote control firmware: V02.02.05.07

DJI Pilot 2 App: V8.0.0.38

Update content

1. Custom widget interface update.
2. Using the multi-fire version launcher, DJI Pilot 2 supports multi-fire operations for both ES638 and ES838.
3. Real-time display of all statuses of the ES transmitter in the DJI Pilot floating window.
4. Based on PSDK 3.7.0_1906.
5. Fixed some bugs.



List of known issues

Influenced Product	Problem description.	Avoidance Measures (Pick one of the measures, then the problem can be avoided)
ES838 czi Assistant	After activating the laser in czi Assistant for ES838, selecting "No laser attached" does not turn off the laser.	<ul style="list-style-type: none"> Manually select "Laser mounted" and turn off the laser.
ES838 czi Assistant	Select "Laser mounted" in czi Assistant, after pulling out the Launcher and reconnecting, the No. 5 Launcher does not display.	<ul style="list-style-type: none"> Minimize the czi Assistant floating window and reopen. Restart the czi Assistant floating window. Using DJI Pilot 2 for control.
ES838 czi Assistant	After selecting "ES838 Mount laser" in DJI Pilot 2, you can select "No laser attached" to activate No. 5 laser instantaneously in the czi Assistant APP.	<ul style="list-style-type: none"> For ES838, please use either czi Assistant or DJI Pilot 2 exclusively for control.
ES264、ES838 czi Assistant	First connect to ES264/ES838, then power on the aircraft. Upon opening czi Assistant for the first time, the 638 interface will be displayed.	<ul style="list-style-type: none"> Minimize the czi Assistant floating window and reopen. Restart the czi Assistant floating window. Using DJI Pilot 2 for control.
DJI pilot 2	There is a small chance that the custom widgets in DJI Pilot 2 may fail to load the widget icons.	<ul style="list-style-type: none"> Restart DJI pilot 2.
DJI Smart ControllerEnterprise DJI RC Plus	Using DJI Pilot 2 custom controls to map to physical buttons on the remote control, the buttons are not sensitive when controlling firing	<ul style="list-style-type: none"> Use czi Assistant for control. Use DJI Pilot 2 for control.
ES838	The multi-fire version control box may temporarily misidentify the Launcher ID when connecting the ES838.	<ul style="list-style-type: none"> Use after the ES838 Launcher ID has been stably recognized.
ES838	The ES838 uses magazine number 5 to load lasers, similarly to how it loads ammunition. However, after selecting "ES838 Mount laser" in DJI Pilot 2 or czi Assistant and clicking "Laser Aim," it will fire the ammunition from magazine number 5.	<ul style="list-style-type: none"> Please select in the software whether the laser is mounted based on the actual loading situation, and do not operate dangerously.

ES264/638/838 Firmware Release Notes

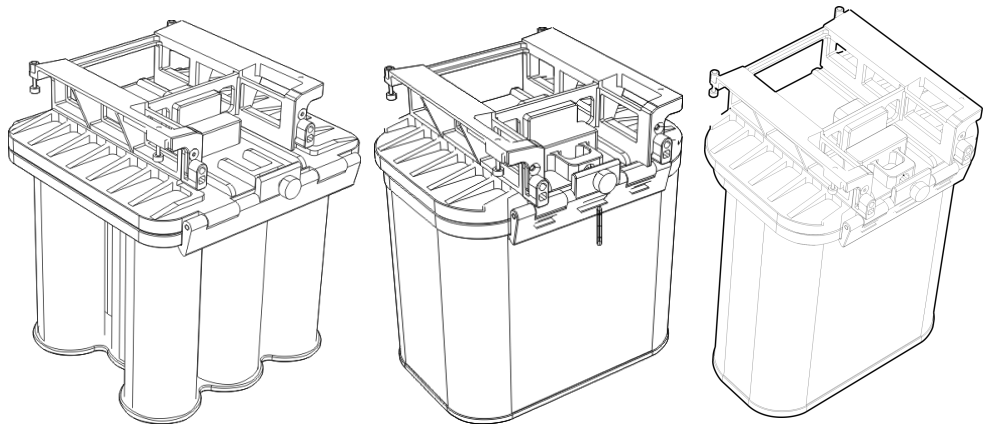
Release Date: 2023.07.26
ES264/638/838 Firmware Version: PSDK_ESS_3_6Z.cz

Update content

1. Compatible with Matrice 300 RTK firmware V07.00.01.00.

Compatible with Matrice 350 RTK firmware V07.00.00.01.

2. Added support for custom control of DJI Pilot 2.
3. Added support for ES838 laser control for mounting.
4. Added floating window for synchronized prompt messages in both Chinese and English.
5. Added synchronization of control status for CZZN APP, czi Assistant APP, and DJI Pilot 2. Fixed some bugs that occurred after the status synchronization.



Known Issues

1. In CZZN APP, when clicking on "Laser Aim" in ES838 and then selecting "Laser Unmounted", the laser will not be turned off. In this case, if you need to turn off the laser, please select "Laser Mounted" and then click "Laser Aim" to manually close it.
2. In czi Assistant, when selecting "Laser Mounted" for ES838, if the ES838 barrel is disconnected and then reconnected, the 5th barrel will not be displayed. To fix this, please reselect "Laser Mounted" and "Laser Unmounted" to restore the normal display.
3. When connecting ES264 and ES838 before turning on the aircraft in czi Assistant, the ES638 interface is constantly displayed on the first opening. To restore normal functionality, it is necessary to minimize the floating window and then maximize it again, or unplug and plug in the transmitter.
4. When using ES838, please use the CZZN APP/czi Assistant APP separately or use the DJI Pilot2 controller separately. After selecting "ES838 Laser Mounted" in the DJI Pilot2 controller, the controller cannot launch the 5th barrel. However, in the czi Assistant APP, it is possible to mistakenly launch the 5th barrel by selecting "Laser Unmounted". This dangerous operation is strictly prohibited.
5. When mounting the H20T on the upper gimbal bracket and the GL60PLUS on the lower dual gimbal, the gimbal linkage between the H20T and GL60PLUS cannot function properly. Additionally, when powering on the GL60PLUS, ES264-638-838 on the M350 first, and then powering on the H20T, the screen of the H20T will go black. After switching camera modes, the screen will experience lag. However, removing one of the PSDK loads will restore normal operation for the H20T camera.

note:

1. When the ES series transmitter is operating on the M350 aircraft, it only supports control from the DJI Pilot 2 controller.
2. Only the concurrent version of the transmitter supports the multi-transmitter function. It is only available in the V1.0.7 version of the DJI Assistant APP. Currently, the ES838 and ES264 models do not have the concurrent interface, but it will be available in future APP updates for the ES838 model.
3. The ES838 is equipped with a laser loaded in the 5th barrel. Similar to loading ammunition in the 5th barrel, selecting "ES838 laser mounting" in DJI Pilot 2 and clicking on "laser targeting" will result in the firing of ammunition from the 5th barrel. It is strictly forbidden to engage in such dangerous operations.

ES264/638/838 Firmware Release Notes

Release Date:

ES264/638/838 Firmware Version: PSDK_ESS_3_5Z.cz

* (The first version of the
firmware)

Update content

1. Control the firing of electric shock emitters and lasers through the floating window of the CZZN APP.
2. Identify new and old motherboards and different models of Launcher, including ES264, ES638 and ES838.

