

# C30N Firmware Release Notes

---

Release Date: 2024.04.28

C30N Firmware Version: C30N\_V03.02.03.03

## Supported Products and Firmware Version:

DJI Skyport V2: V01.03.05.00

CZI Pilot: V1.3.0

### **M300 RTK + DJI Smart ControllerEnterprise**

Aircraft firmware: V09.00.05.03

Remote control firmware: V09.00.05.01

DJI Pilot 2 App: V9.0.5.5

### **M300 RTK + DJI RC Plus**

Aircraft firmware: V59.01.00.01

Remote control firmware: V03.02.09.07

DJI Pilot 2 App: V9.1.0.21

### **M350 RTK + DJI RC Plus**

Aircraft firmware: V09.01.01.02

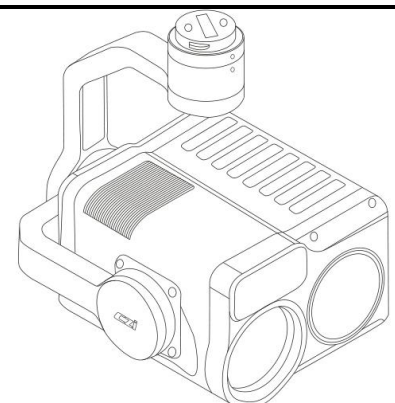
Remote control firmware: V03.02.09.07

DJI Pilot 2 App: V9.1.0.21

---

## What has been updated?

1. Update the detection algorithm model to add the counting of people, vehicles, and ships.
2. Fixed some occasional issues.



## Notice

1. Ensure that the CZI Pilot App, C30N firmware, aircraft, remote control, DJI Skyport V2 firmware, and DJI Pilot 2 App are updated to the latest version, otherwise it will affect use.
2. Restart the camera after the upgrade is complete.
3. Upgrade based on C30N V03.01.00.00.

# C30N Firmware Release Notes

---

Release Date: 2024.03.18

C30N Firmware Version: C30N\_V03.01.00.00

## Supported Products and Firmware Version:

DJI Skyport V2: V01.03.05.00

CZI Pilot: V1.3.0

### **M300 RTK + DJI Smart ControllerEnterprise**

Aircraft firmware: V09.00.05.03

Remote control firmware: V09.00.05.01

DJI Pilot 2 App: V9.0.5.5

### **M300 RTK + DJI RC Plus**

Aircraft firmware: V59.01.00.01

Remote control firmware: V03.02.09.07

DJI Pilot 2 App: V9.1.0.21

### **M350 RTK + DJI RC Plus**

Aircraft firmware: V09.01.01.02

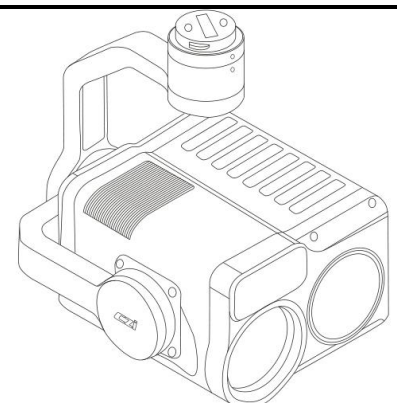
Remote control firmware: V03.02.09.07

DJI Pilot 2 App: V9.1.0.21

---

## What has been updated?

1. Fixed some occasional issues.



## Notice

1. Ensure that the CZI Pilot App, C30N firmware, aircraft, remote control, DJI Skyport V2 firmware, and DJI Pilot 2 App are updated to the latest version, otherwise it will affect use.
2. Restart the camera after the upgrade is complete.

# C30N Firmware Release Notes

---

Release Date: 2024.02.29

C30N Firmware Version: C30N\_V03.00.02.02

## Supported Products and Firmware Version:

DJI Skyport V2: V01.03.05.00

CZI Pilot: V1.3.0

### **M300 RTK + DJI Smart ControllerEnterprise**

Aircraft firmware: V09.00.05.03

Remote control firmware: V09.00.05.01

DJI Pilot 2 App: V9.0.5.5

### **M300 RTK + DJI RC Plus**

Aircraft firmware: V59.01.00.01

Remote control firmware: V03.02.09.07

DJI Pilot 2 App: V9.0.5.39

### **M350 RTK + DJI RC Plus**

Aircraft firmware: V09.01.01.02

Remote control firmware: V03.02.09.07

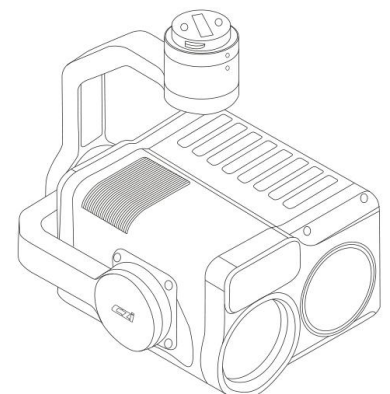
DJI Pilot 2 App: V9.1.0.21

---

## What has been updated?

1. Added super night scene mode function for visible light camera.
2. Added watermark/timestamp mode.
3. Added the ability to lock onto a target by tapping the target on the

<http://www.gzczzn.com/>



controller screen, automatically centering it in the camera view.

4. Added offline activation camera function for dji\_pilot.
5. Optimized tracking control.
6. Fixed some occasional issues.

## Notice

1. Ensure that the CZI Pilot App, C30N firmware, aircraft, remote control, DJI Skyport V2 firmware, and DJI Pilot 2 App are updated to the latest version, otherwise it will affect use.
2. Restart the camera after the upgrade is complete.

# C30N Firmware Release Notes

---

Release Date: 2023.12.12

C30N Firmware Version: C30N\_V02.03.26.30

## Supported Products and Firmware Version:

DJI Skyport V2: V01.03.05.00

CZI Pilot: V1.2.2

### **M300 RTK + DJI Smart ControllerEnterprise**

Aircraft firmware: V07.00.01.00

Remote control firmware: V07.00.01.01

DJI Pilot 2 App: V7.0.2.5

### **M300 RTK + DJI RC Plus**

Aircraft firmware: V58.00.00.09

Remote control firmware: V02.02.05.07

DJI Pilot 2 App: V8.0.0.38

### **M350 RTK + DJI RC Plus**

Aircraft firmware: V08.00.00.03

Remote control firmware: V02.02.05.07

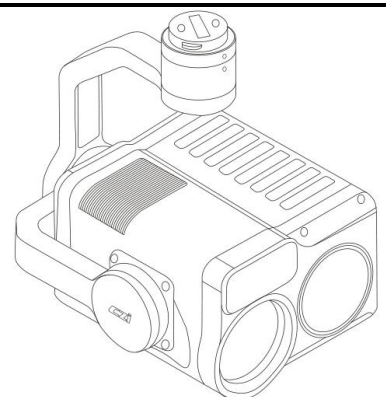
DJI Pilot 2 App: V8.0.0.38

---

## What has been updated?

1. Application optimization log recording, image processing, and data processing;
2. Algorithm added visible light Auto Focus (AFS), visible light noise

<http://www.gzczzn.com/>



- reduction, infrared tracking, and infrared image enhancement AI algorithms to optimize tracking effects;
3. Update firmware and related functions for the gimbal: optimize picture drift and shaking phenomenon;
  4. Fixed the infrared zooming issue;
  5. Fixed occasional video splitting and image splitting issues;
  6. Fixed the problem of slow rotation speed during gimbal tracking and the issue of infrared tracking not starting the lock mode.

## Notice

1. Ensure that the CZI Pilot App, C30N firmware, aircraft, remote control, DJI Skyport V2 firmware, and DJI Pilot 2 App are updated to the latest version, otherwise it will affect use.
2. Restart the camera after the upgrade is complete.



# C30N Firmware Release Notes

---

Release Date: 2023.07.05

C30N Firmware Version: C30N\_V02.03.21.25

## Supported Products and Firmware Version:

DJI Skyport V2: V01.03.05.00

CZI Pilot: V01.02

### **M300 RTK + DJI Smart ControllerEnterprise**

Aircraft firmware: V07.00.01.00

Remote control firmware: V07.00.01.00

DJI Pilot 2 App: V7.0.1.1

### **M300 RTK + DJI RC Plus**

Aircraft firmware: V57.00.01.00

Remote control firmware: V01.02.04.40

DJI Pilot 2 App: V7.0.1.0

### **M350 RTK + DJI RC Plus**

Aircraft firmware: V07.00.00.01

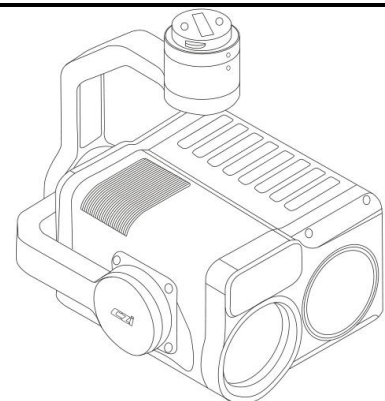
Remote control firmware: V01.02.04.40

DJI Pilot 2 App: V7.0.1.0

---

## What has been updated?

1. Optimized the intelligent tracking function
2. Added infrared detection capability
3. Optimized the accuracy of the gimbal



4. Fixed some known issues

## Notice

1. Ensure that the CZI Pilot App, C30N firmware, aircraft, remote control, DJI Skyport V2 firmware, and DJI Pilot 2 App are updated to the latest version, otherwise it will affect use.
2. Restart the camera after the upgrade is complete.

# C30N Firmware Release Notes

---

Release Date: 2023.05.16

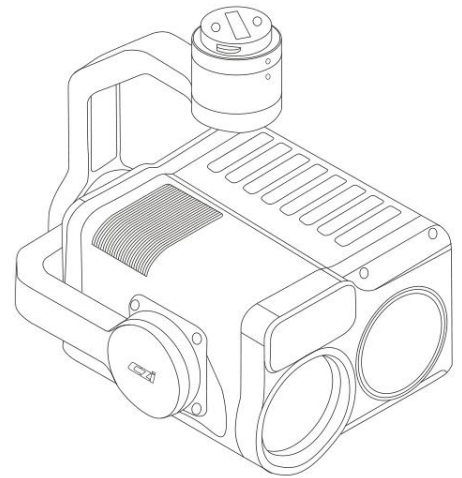
C30N Firmware Version: C30N\_V02.02.11.13

## Supported Products and Firmware Version:

---

### What has been updated?

1. Optimize visible light night effect optimization
2. New mountain fire mode for thermal imaging cameras
3. New thermal imaging camera for probabilistic temperature measurement
4. The addition of a QR code sharing function for ranging and pointing coordinates
5. Optimize the head control, increase the automatic calibration function of the head
6. Add image exif information
7. Newly added light ground safety restrictions



### Notice

1. Be sure to update both the CZI Pilot App and the C30N firmware to the latest version, otherwise it will not work.