

LP35 Firmware Release Notes

Release Date: 2024.06.07

LP35 Firmware Version: LP35_V01.03.02.03

Supported Products and Firmware Version:

CZI Pilot: V1.3.2

ZhiSheng: V1.1.2

CziAssistant_Release (for Windows): V1.0.29

M300 RTK + DJI Smart ControllerEnterprise

Aircraft firmware: V09.00.05.03

Remote control firmware: V09.00.05.01

DJI Pilot 2 App: V9.0.5.5

M300 RTK + DJI RC Plus

Aircraft firmware: V60.00.01.07

Remote control firmware: V03.02.09.08

DJI Pilot 2 App: V10.0.6.12

M350 RTK + DJI RC Plus

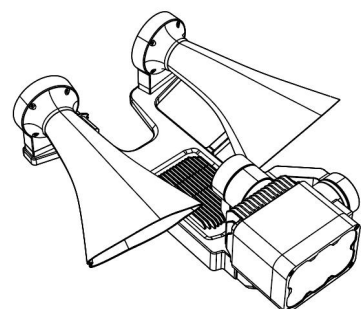
Aircraft firmware: V10.00.06.02

Remote control firmware: V03.02.09.08

DJI Pilot 2 App: V10.0.6.12

What has been updated?

1. Disable Activation Feature.



2. Synchronize DJI Pilot Volume Display.
3. Add DJI Pilot Floating Window for TTS Playback Status.
4. Implement Mandarin Male Voice and Cantonese Text Processing.
5. Add a high power volume limit of 94%.

Known Issues

1. English male/female TTS does not support speed adjustment.
2. Quickly adjusting the volume multiple times may cause the device to restart, and it is not recommended to adjust the volume too quickly.

LP35 Firmware Release Notes

Release Date: 2024.4.22
LP35 Firmware Version: LP35_V01.02.01.03

Supported Products and Firmware Version:

CZI Pilot: V1.3.0

ZhiSheng: V1.1.2

M300 RTK + DJI Smart ControllerEnterprise

Aircraft firmware: V09.00.05.03

Remote control firmware: V09.00.05.01

DJI Pilot 2 App: V9.0.5.5

M300 RTK + DJI RC Plus

Aircraft firmware: V59.01.00.01

Remote control firmware: V03.02.09.07

DJI Pilot 2 App: V9.1.0.21

M350 RTK + DJI RC Plus

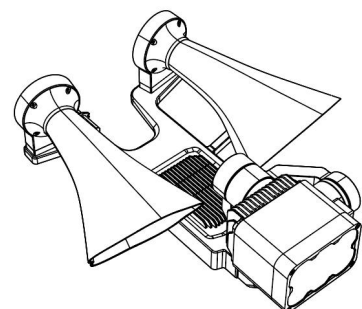
Aircraft firmware: V09.01.01.02

Remote control firmware: V03.02.09.07

DJI Pilot 2 App: V9.1.0.21

What has been updated?

1. Update the running before and in the background of the system startup script.
2. Adding a communication cable fails.



3. Modify the switching mode of the power-on broadcast language (switching only after normal shutdown).

Known Issues

1. English male/female TTS does not support speed adjustment.
2. Quickly adjusting the volume multiple times may cause the device to restart, and it is not recommended to adjust the volume too quickly.
3. The volume of the dji pilot is not synchronized to save, and the volume of the last shutdown is turned on.
(Resolved in the next version)
4. dji pilot does not perform hover window tts playback display. (Resolved in next version)

LP35 Firmware Release Notes

Release Date: 2024.3.29
LP35 Firmware Version: LP35_V01.01.02.03

Supported Products and Firmware Version:

CZI Pilot: V1.3.0

ZhiSheng: V1.1.2

M300 RTK + DJI Smart ControllerEnterprise

Aircraft firmware: V09.00.05.03

Remote control firmware: V09.00.05.01

DJI Pilot 2 App: V9.0.5.5

M300 RTK + DJI RC Plus

Aircraft firmware: V59.01.00.01

Remote control firmware: V03.02.09.07

DJI Pilot 2 App: V9.1.0.21

M350 RTK + DJI RC Plus

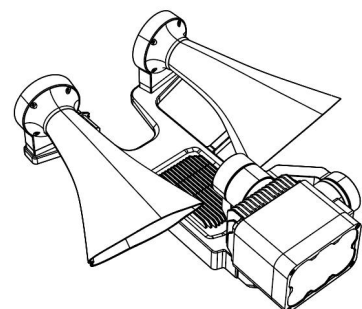
Aircraft firmware: V09.01.01.02

Remote control firmware: V03.02.09.07

DJI Pilot 2 App: V9.1.0.21

What has been updated?

1. Add DJI pilot language and speech speed selection and save function.
2. Add TTS echo enhancement algorithm processing.



Known Issues

1. English male/female TTS does not support speed adjustment.
2. Quickly adjusting the volume multiple times may cause the device to restart, and it is not recommended to adjust the volume too quickly.
3. The volume of the dji pilot is not synchronized to save, and the volume of the last shutdown is turned on.
(Resolved in the next version)
- 4.dji pilot does not perform hover window tts playback display. (Resolved in next version)

LP35 Firmware Release Notes

Release Date: 2024.2.27
LP35 Firmware Version: LP35_V01.01.01.07

Supported Products and Firmware Version:

CZI Pilot: V1.3.0

ZhiSheng: V1.1.2

M300 RTK + DJI Smart ControllerEnterprise

Aircraft firmware: V09.00.05.03

Remote control firmware: V09.00.05.01

DJI Pilot 2 App: V9.0.5.5

M300 RTK + DJI RC Plus

Aircraft firmware: V59.01.00.01

Remote control firmware: V03.02.09.07

DJI Pilot 2 App: V9.1.0.21

M350 RTK + DJI RC Plus

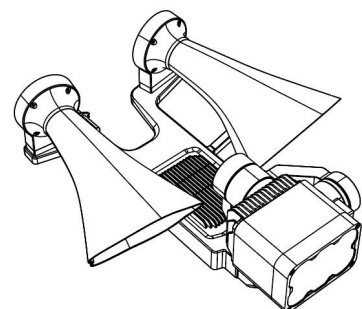
Aircraft firmware: V09.01.01.02

Remote control firmware: V03.02.09.07

DJI Pilot 2 App: V9.1.0.21

What has been updated?

1. Optimize the demonstration mode function.
2. Solve the problem of packet loss for the last 2-3 seconds when switching to single mode during loop mode playback.



3. Resolve the issue of Zhisheng's online upgrade failure.
4. Solve the problem of swallowing characters in TTS long texts.

LP35 Firmware Release Notes

Release Date: 2024.1.14
LP35 Firmware Version: LP35_V01.00.05.10

Supported Products and Firmware Version:

CZI Pilot: V1.3.0

ZhiSheng: V1.1.0

M300 RTK + DJI Smart ControllerEnterprise

Aircraft firmware: V09.00.05.03

Remote control firmware: V09.00.05.01

DJI Pilot 2 App: V9.0.5.5

M300 RTK + DJI RC Plus

Aircraft firmware: V58.00.00.10

Remote control firmware: V02.02.08.03

DJI Pilot 2 App: V9.0.5.39

M350 RTK + DJI RC Plus

Aircraft firmware: V09.00.05.03

Remote control firmware: V02.02.08.03

DJI Pilot 2 App: V9.0.5.39

What has been updated?

1. Optimize TTS playback in various languages.
2. Optimize the cloud desk lamp function.

