

# LP35 Firmware Release Notes

---

Release Date: 2024.08.12  
LP35 Firmware Version: LP35\_V01.04.03.06

## Supported Products and Firmware Version:

CZI Pilot: V1.3.2

ZhiSheng: V1.1.3

CziAssistant\_Release (for Windows): V1.0.38

### **M350 RTK + DJI RC Plus**

Aircraft firmware: V10.01.00.09

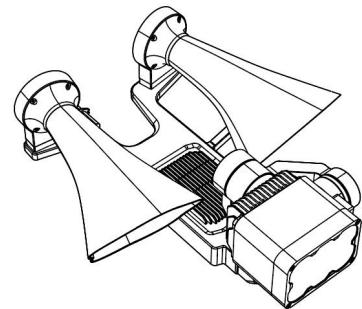
Remote control firmware: V05.02.11.06

DJI Pilot 2 App: V10.1.0.30

---

## What has been updated?

1. Update of PSDK Version V3.9.1-2090.
2. Fixed gimbal angle offset issue.
3. Added gimbal angle compensation slider control.



## Known Issues

1. English male/female TTS does not support speed adjustment.
2. Quickly adjusting the volume multiple times may cause the device to restart, and it is not recommended to adjust the volume too quickly.

## Notice

1. When upgrading the firmware of LP35 using the ZhiSheng APP, please use the drone to power LP35.
2. It is recommended to use CziAssistant (for Windows) for firmware upgrading, which can upgrade at the fastest speed.
3. After updating to V01.04.03.06 firmware, when LP35 and camera load are synchronized to start, the announcer will say "Device link successful" and wait for 15 seconds. LP35 will then control the camera's pitch angle to return to the center and perform load angle calibration. Only then can you control the camera load rotation using the remote controller's dial, otherwise it may affect the synchronization of LP35's gimbal and camera angles.
4. If using DJI Pilot2, it does not support recording voice announcements and real-time voice announcements. If you need to use recording voice announcements and real-time voice announcements, please use Czi Pilot App.
5. When the drone only carries LP35 without the camera load, using DJI Pilot2 to control the load, you cannot control LP35's gimbal angle using the remote controller's dial. You can only control LP35's gimbal angle using the PSDK icon controls. Due to the features of PSDK, when the load is mounted on the OSDK/E-port, you cannot control the gimbal angle of LP35 using DJI Pilot2. Czi Pilot App supports controlling LP35's gimbal angle using the remote controller's dial.

# LP35 Firmware Release Notes

---

Release Date: 2024.06.07

LP35 Firmware Version: LP35\_V01.03.02.03

## Supported Products and Firmware Version:

CZI Pilot: V1.3.2

ZhiSheng: V1.1.2

CziAssistant\_Release (for Windows): V1.0.29

### **M300 RTK + DJI Smart ControllerEnterprise**

Aircraft firmware: V09.00.05.03

Remote control firmware: V09.00.05.01

DJI Pilot 2 App: V9.0.5.5

### **M300 RTK + DJI RC Plus**

Aircraft firmware: V60.00.01.07

Remote control firmware: V03.02.09.08

DJI Pilot 2 App: V10.0.6.12

### **M350 RTK + DJI RC Plus**

Aircraft firmware: V10.00.06.02

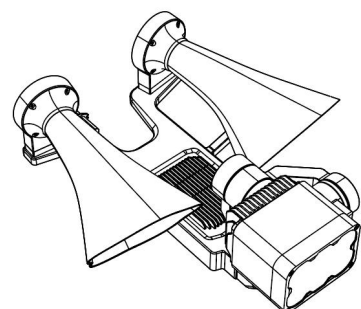
Remote control firmware: V03.02.09.08

DJI Pilot 2 App: V10.0.6.12

---

## What has been updated?

### 1. Disable Activation Feature.



2. Synchronize DJI Pilot Volume Display.
3. Add DJI Pilot Floating Window for TTS Playback Status.
4. Implement Mandarin Male Voice and Cantonese Text Processing.
5. Add a high power volume limit of 94%.

## **Known Issues**

1. English male/female TTS does not support speed adjustment.
2. Quickly adjusting the volume multiple times may cause the device to restart, and it is not recommended to adjust the volume too quickly.

# LP35 Firmware Release Notes

---

Release Date: 2024.4.22  
LP35 Firmware Version: LP35\_V01.02.01.03

## Supported Products and Firmware Version:

CZI Pilot: V1.3.0

ZhiSheng: V1.1.2

### **M300 RTK + DJI Smart ControllerEnterprise**

Aircraft firmware: V09.00.05.03

Remote control firmware: V09.00.05.01

DJI Pilot 2 App: V9.0.5.5

### **M300 RTK + DJI RC Plus**

Aircraft firmware: V59.01.00.01

Remote control firmware: V03.02.09.07

DJI Pilot 2 App: V9.1.0.21

### **M350 RTK + DJI RC Plus**

Aircraft firmware: V09.01.01.02

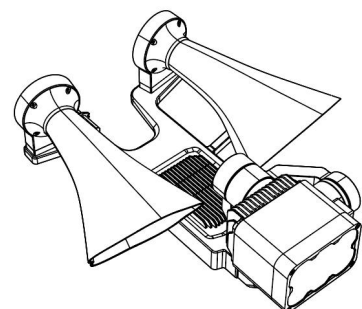
Remote control firmware: V03.02.09.07

DJI Pilot 2 App: V9.1.0.21

---

## What has been updated?

1. Update the running before and in the background of the system startup script.
2. Adding a communication cable fails.



3. Modify the switching mode of the power-on broadcast language (switching only after normal shutdown).

## Known Issues

1. English male/female TTS does not support speed adjustment.
2. Quickly adjusting the volume multiple times may cause the device to restart, and it is not recommended to adjust the volume too quickly.
3. The volume of the dji pilot is not synchronized to save, and the volume of the last shutdown is turned on.  
(Resolved in the next version)
- 4.dji pilot does not perform hover window tts playback display. (Resolved in next version)

# LP35 Firmware Release Notes

---

Release Date: 2024.3.29  
LP35 Firmware Version: LP35\_V01.01.02.03

## Supported Products and Firmware Version:

CZI Pilot: V1.3.0

ZhiSheng: V1.1.2

### **M300 RTK + DJI Smart ControllerEnterprise**

Aircraft firmware: V09.00.05.03

Remote control firmware: V09.00.05.01

DJI Pilot 2 App: V9.0.5.5

### **M300 RTK + DJI RC Plus**

Aircraft firmware: V59.01.00.01

Remote control firmware: V03.02.09.07

DJI Pilot 2 App: V9.1.0.21

### **M350 RTK + DJI RC Plus**

Aircraft firmware: V09.01.01.02

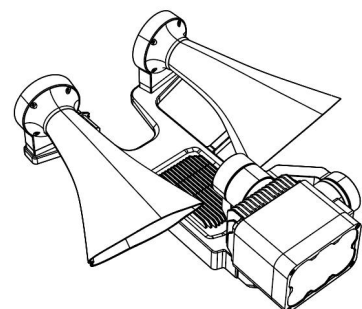
Remote control firmware: V03.02.09.07

DJI Pilot 2 App: V9.1.0.21

---

## What has been updated?

1. Add DJI pilot language and speech speed selection and save function.
2. Add TTS echo enhancement algorithm processing.



## Known Issues

1. English male/female TTS does not support speed adjustment.
2. Quickly adjusting the volume multiple times may cause the device to restart, and it is not recommended to adjust the volume too quickly.
3. The volume of the dji pilot is not synchronized to save, and the volume of the last shutdown is turned on.  
(Resolved in the next version)
- 4.dji pilot does not perform hover window tts playback display. (Resolved in next version)



# LP35 Firmware Release Notes

---

Release Date: 2024.2.27  
LP35 Firmware Version: LP35\_V01.01.01.07

## Supported Products and Firmware Version:

CZI Pilot: V1.3.0

ZhiSheng: V1.1.2

### **M300 RTK + DJI Smart ControllerEnterprise**

Aircraft firmware: V09.00.05.03

Remote control firmware: V09.00.05.01

DJI Pilot 2 App: V9.0.5.5

### **M300 RTK + DJI RC Plus**

Aircraft firmware: V59.01.00.01

Remote control firmware: V03.02.09.07

DJI Pilot 2 App: V9.1.0.21

### **M350 RTK + DJI RC Plus**

Aircraft firmware: V09.01.01.02

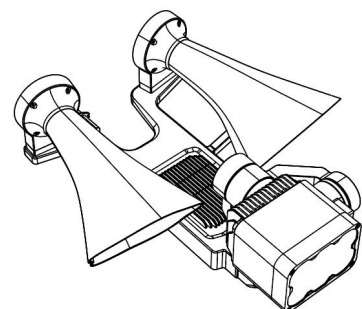
Remote control firmware: V03.02.09.07

DJI Pilot 2 App: V9.1.0.21

---

## What has been updated?

1. Optimize the demonstration mode function.
2. Solve the problem of packet loss for the last 2-3 seconds when switching to single mode during loop mode playback.



3. Resolve the issue of Zhisheng's online upgrade failure.
4. Solve the problem of swallowing characters in TTS long texts.

# LP35 Firmware Release Notes

---

Release Date: 2024.1.14  
LP35 Firmware Version: LP35\_V01.00.05.10

## Supported Products and Firmware Version:

CZI Pilot: V1.3.0

ZhiSheng: V1.1.0

### **M300 RTK + DJI Smart ControllerEnterprise**

Aircraft firmware: V09.00.05.03

Remote control firmware: V09.00.05.01

DJI Pilot 2 App: V9.0.5.5

### **M300 RTK + DJI RC Plus**

Aircraft firmware: V58.00.00.10

Remote control firmware: V02.02.08.03

DJI Pilot 2 App: V9.0.5.39

### **M350 RTK + DJI RC Plus**

Aircraft firmware: V09.00.05.03

Remote control firmware: V02.02.08.03

DJI Pilot 2 App: V9.0.5.39

---

## What has been updated?

1. Optimize TTS playback in various languages.
2. Optimize the cloud desk lamp function.

