

# LP12 Firmware Release Notes

---

Release Date: 2024.09.14  
 LP12 Firmware Version: LP12\_V03.07.14.30

## Supported Products and Firmware Version:

### M30 series + DJI RC Plus

Aircraft firmware: V10.01.00.14

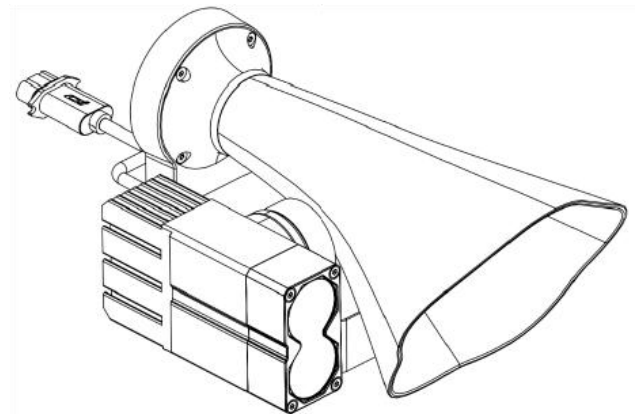
Remote control firmware: V05.02.11.06

DJI Pilot 2 App: V10.1.0.30

---

## Update content

1. PSDK version updated to V3.9.1-2090.
2. DJI Pilot 2 now includes volume mute and save functionality.
3. System volume bar now aligns with real-time voice call and TTS voice call volume bars.
4. Audio amplification functionality has been optimized.
5. A firmware update reminder has been added to the DJI Pilot 2 floating window information bar.



## List of known problems

Known problem	Evasive measure
The brightness slider cannot be adjusted, the Angle slider cannot be adjusted, and the volume slider cannot be adjusted.	The Commonplace 2 control has a display problem. When this problem occurs, click the tts input box to enter some content and the slider control will update.
The song name in the "MUSIC" folder cannot be too long, otherwise the psdk will not be able to connect successfully.	Current version of the solution: English: Limit the song name to 35 characters. English: Song names should be limited to 104 letters.

Import new audio, audio amplification process in the play stuck.	After all the audio is increased, then play the audio.
--	--

**Attention:**

1. The real-time voice function shall not be demonstrated in the mode of "high volume and short distance", as the remote control microphone is too sensitive, which will cause echo and howling if it is demonstrated at close range, and this is a normal phenomenon.
2. Currently, the input limit for long text TTS in pure Chinese<sup>2</sup>. Currently, the input limit for long text TTS in pure Chinese is 300 Chinese characters, and the input limit for pure English and characters is 900.
3. LP12 controlled by Sikong 2 has slow control response.
4. Broadcast recording in the Sikong 2 system requires announcing before saving.
5. Do not decompress the firmware package into the TF card. Otherwise, the upgrade may fail.
6. Commonplace 2 does not support LP12 real-time Shouting.
7. This version can enable GPI mode.
8. Sikong 2 recording upload cannot upload audio exceeding 10M.

# LP12 Firmware Release Notes

Release Date: 2024.04.01  
 LP12 Firmware Version: LP12\_V03.06.00.20

## Supported Products and Firmware Version:

### M30 series + DJI RC Plus

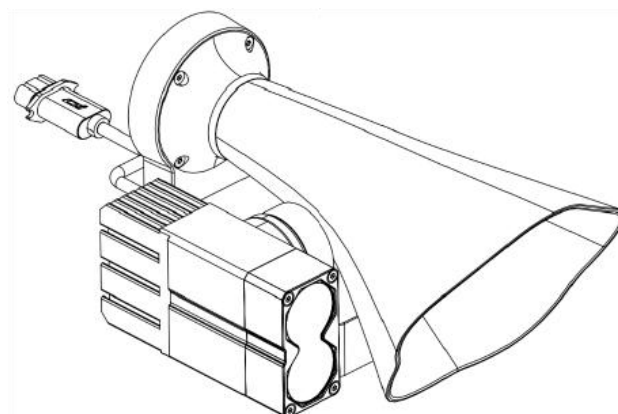
Aircraft firmware: V09.01.00.06

Remote control firmware: V03.02.09.07

DJI Pilot 2 App: V09.1.0.21

## Update content

1. Automatically switch the voice broadcast language of LP12 according to the language set by the remote control.
2. Update PSDK\_380\_1929



## List of known problems

Known problem	Evasive measure
The brightness slider cannot be adjusted, the Angle slider cannot be adjusted, and the volume slider cannot be adjusted.	The Commonplace 2 control has a display problem. When this problem occurs, click the tts input box to enter some content and the slider control will update.
The song name in the "MUSIC" folder cannot be too long, otherwise the psdk will not be able to connect successfully.	Current version of the solution: English: Limit the song name to 35 characters. English: Song names should be limited to 104 letters.
Import new audio, audio amplification process in the play stuck.	After all the audio is increased, then play the audio.

**Attention:**

8. The real-time voice function shall not be demonstrated in the mode of "high volume and short distance", as the remote control microphone is too sensitive, which will cause echo and howling if it is demonstrated at close range, and this is a normal phenomenon.
  9. Currently, the input limit for long text TTS in pure Chinese<sup>2</sup>. Currently, the input limit for long text TTS in pure Chinese is 300 Chinese characters, and the input limit for pure English and characters is 900.
  10. LP12 controlled by Sikong 2 has slow control response.
  11. Broadcast recording in the Sikong 2 system requires announcing before saving.
  12. Do not decompress the firmware package into the TF card. Otherwise, the upgrade may fail.
  13. Commonplace 2 does not support LP12 real-time Shouting.
  14. This version can enable GPI mode.
8. Sikong 2 recording upload cannot upload audio exceeding 10M.

# LP12 Firmware Release Notes

---

Release Date: 2023.12.06  
LP12 Firmware Version: LP12\_V03.04.01.07

## Supported Products and Firmware Version:

### M30 series + DJI RC Plus

Aircraft firmware: V08.00.00.03

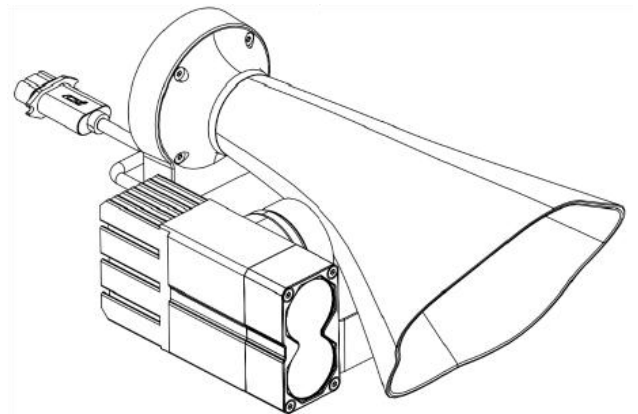
Remote control firmware: V02.02.05.07

DJI Pilot 2 App: V08.0.0.38

---

## Update content

1. Fix the problem that LP12 cannot use GPI.
2. Fixed an issue where DJI Poilt 2 APP recording shouts could not stop playing.
3. Optimize the system to avoid disk write protection problems.
4. Fixed an issue where playing certain audio caused IMU alerts.
5. Update PSDK\_370\_1905.



## Known Issues

1. When the DJI Poilt load icon control switches to the "real-time Shout" mode, the psdk will be disconnected when the audio is played in the "Recording" control list.  
Current solution: To use the Recording audio list playback feature, switch the Load icon control to the Recording Shout mode.
- 2.The song name in the "MUSIC" folder cannot be too long, otherwise the psdk will not be able to connect successfully.

Current version of the solution: English: Limit the song name to 35 characters. English: Song names should be limited to 104 letters.

### **Attention:**

1. The real-time voice function shall not be demonstrated in the mode of "high volume and short distance", as the remote control microphone is too sensitive, which will cause echo and howling if it is demonstrated at close range, and this is a normal phenomenon.
2. Currently, the input limit for long text TTS in pure Chinese<sup>2</sup>. Currently, the input limit for long text TTS in pure Chinese is 300 Chinese characters, and the input limit for pure English and characters is 900.
3. LP12 controlled by Sikong 2 has slow control response.
4. Broadcast recording in the Sikong 2 system requires announcing before saving.
5. Do not decompress the firmware package into the TF card. Otherwise, the upgrade may fail.

# LP12 Firmware Release Notes

---

Release Date: 2023.10.19  
LP12 Firmware Version: LP12\_V03.03.00.02

## Supported Products and Firmware Version:

### M30 series + DJI RC Plus

Aircraft firmware: V07.01.00.26

Remote control firmware: V02.02.04.05

DJI Pilot 2 App: V08.00.00.26

---

## Update content

1. Resolved the issue of disk write protection.
2. Updated PSDK\_360 \_ 1883

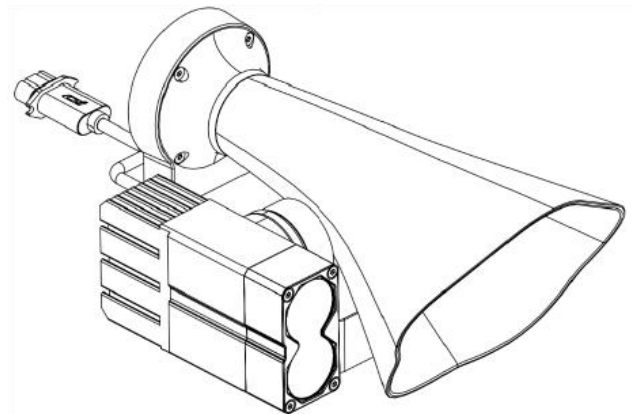
## Known Issues

1. When the DJI Pilot load icon control switches to the "real-time Shout" mode, the psdk will be disconnected when the audio is played in the "Recording" control list.

Current solution: To use the Recording audio list playback feature, switch the Load icon control to the Recording Shout mode.

2. The song name in the "MUSIC" folder cannot be too long, otherwise the psdk will not be able to connect successfully.

Current version of the solution: English: Limit the song name to 35 characters. English: Song names should be limited to 104 letters



**Attention:**

1. The real-time voice function shall not be demonstrated in the mode of "high volume and short distance", as the remote control microphone is too sensitive, which will cause echo and howling if it is demonstrated at close range, and this is a normal phenomenon.
2. Currently, the input limit for long text TTS in pure Chinese<sup>2</sup>. Currently, the input limit for long text TTS in pure Chinese is 300 Chinese characters, and the input limit for pure English and characters is 900.
3. It is necessary to test the fixed point and patrol broadcasting, select the point on the map according to the Dajiang Situ software, copy the latitude and longitude to the LP12 configuration file to generate the helper software task.
4. GPI mode is not available in this version of firmware, so users who use GPI mode should not upgrade to this version of firmware.
5. LP12 controlled by Sikong 2 has slow control response.
6. Local audio upload function of the application "Sikong 2" is not working.
7. Broadcast recording in the Sikong 2 system requires announcing before saving.
8. Do not unzip the firmware package directly on the TF card, as it may result in upgrade failure.



# LP12 Firmware Release Notes

---

Release Date: 2023.09.27  
LP12 Firmware Version: LP12\_V03.02.01.08

## Supported Products and Firmware Version:

### M30 series + DJI RC Plus

Aircraft firmware: V07.01.00.26

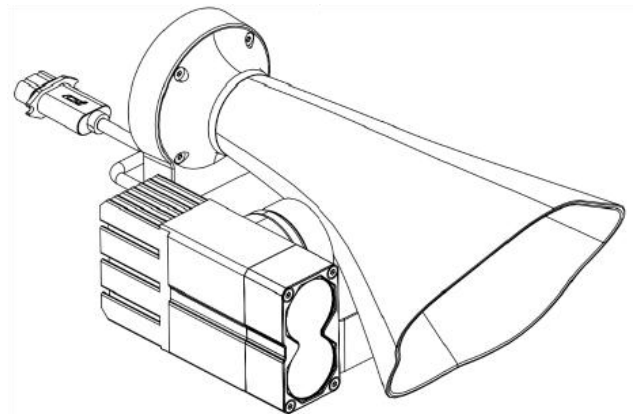
Remote control firmware: V02.02.04.05

DJI Pilot 2 App: V08.00.00.26

---

## Update content

1. Updated PSDK\_350\_1765.
2. Add a demonstration mode.
3. Add the function of platform following, recording and broadcasting / real-time shouting.



## Attention:

1. The real-time voice function shall not be demonstrated in the mode of "high volume and short distance", as the remote control microphone is too sensitive, which will cause echo and howling if it is demonstrated at close range, and this is a normal phenomenon.
2. Currently, the input limit for long text TTS in pure Chinese is 300 Chinese characters, and the input limit for pure English and characters is 900.
3. It is necessary to test the fixed point and patrol broadcasting, select the point on the map according to the Dajiang Situ software, copy the latitude and longitude to the LP12 configuration file to generate the helper software task.
4. GPI mode is not available in this version of firmware, so users who use GPI mode should not upgrade to this version of firmware.

5. LP12 controlled by Sikong 2 has slow control response.
6. Local audio upload function of the application "Sikong 2" is not working.
7. Broadcast recording in the Sikong 2 system requires announcing before saving.

# LP12 Firmware Release Notes

---

Release Date: 2023.07.21

LP12 Firmware Version: LP12\_V03.01.03.09

## Supported Products and Firmware Version:

### M30 series +DJI RC Plus

Aircraft firmware: V06.02.08.03

Remote control firmware: : V01.02.04.43

DJI Pilot 2 App: V7.0.2.3

---

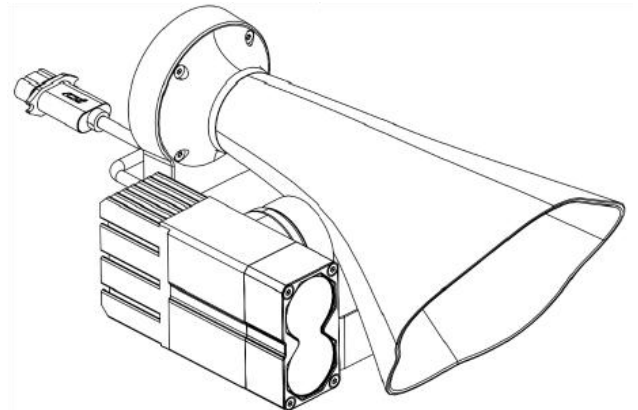
## Update content

1. After the tts broadcasting is turned on under the airport function, the aircraft will automatically turn off the broadcasting when it is below 20 meters.

(Chengzhi TTS Configuration File Generation Tool:

<https://dev.gzczzn.com/tts-project-dev/#/>)

(DJI Sektor Software: <https://www.dji.com/cn/flighthub-2>)



## Fix the issue

1. Solve the problem that after landing at the airport, the automatic1. Solve the problem that after landing at the airport, the automatic airport calling function cannot be executed again.
2. Solve the problem of no sound when flying out of fixed point in patrol line timing broadcasting.

## Known Issues

1. While using real-time shouting, clicking to play an audio file does not work.

Current workaround in the current version: If in real-time shouting mode and you want to switch to audio playback, you need to stop real-time shouting first before playing the audio.

2. While playing a song, switching to recording broadcasting does not work.

Current workaround in the current version: If in audio playback mode and you want to switch to recording broadcasting, you need to stop audio playback first before starting recording broadcasting.

### **Attention:**

1. The real-time voice function shall not be demonstrated in the mode of "high volume and short distance", as the remote control microphone is too sensitive, which will cause echo and howling if it is demonstrated at close range, and this is a normal phenomenon.
2. Currently, the input limit for long text TTS in pure Chinese<sup>2</sup>. Currently, the input limit for long text TTS in pure Chinese is 300 Chinese characters, and the input limit for pure English and characters is 900.
3. It is necessary to test the fixed point and patrol broadcasting, select the point on the map according to the Dajiang Situ software, copy the latitude and longitude to the LP12 configuration file to generate the helper software task.
4. When using the function of patrolling and broadcasting at fixed time and location, it is important to note that each task in the LP12 configuration file generation assistant should not only correspond to the waypoint of the drone, but also correspond to the time segment set for each task. For example, if task 1 corresponds to waypoint 1 and the time set inside is 12:00-12:02, then the drone should fly to waypoint 1 during the time period of 12:00-12:02 for task 1 to play its audio content.

# LP12 Firmware Release Notes

---

Release Date: 2023.05.24  
LP12 Firmware Version: LP12\_V03.01.03.08

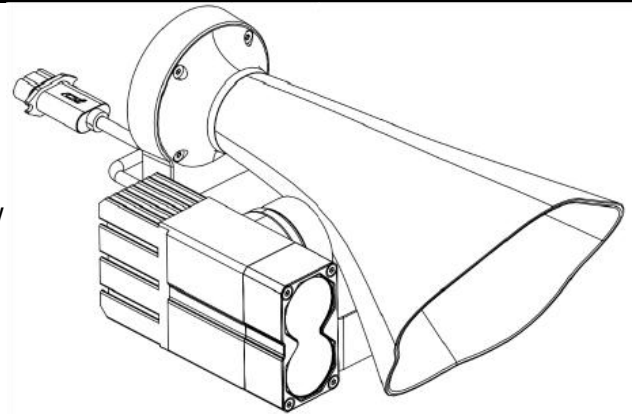
## Supported Products and Firmware Version:

---

### Update content

1. The default startup setting is to have the gimbal follow to non-follow mode is also available.
2. Added TTS line-patrol broadcast function, loop playback option, and volume adjustment in the configuration file.

(Chengzhi TTS Configuration File Generation Tool:  
<https://dev.gzczzn.com/tts-project-dev/#/>)



### Fix the issue

1. Fixed some known issues.

### Known Issues

1. While using real-time shouting, clicking to play an audio file does not work.

Current workaround in the current version: If in real-time shouting mode and you want to switch to audio playback, you need to stop real-time shouting first before playing the audio.

2. While playing a song, switching to recording broadcasting does not work.

Current workaround in the current version: If in audio playback mode and you want to switch to recording broadcasting, you need to stop audio playback first before starting recording broadcasting.

**Attention:**

1. Please avoid demonstrating the real-time shouting function with high volume and at close range, as the remote control microphone is highly sensitive. Conducting demonstrations at very close range may cause echo and feedback, which is considered a normal phenomenon.
2. Currently, the TTS function has a text input limit of 300 Chinese characters for pure Chinese text and 900 characters for pure English or character input.

# LP12 Firmware Release Notes

---

Release Date: 2023.04.19  
LP12 Firmware Version: LP12\_V03.01.03.07

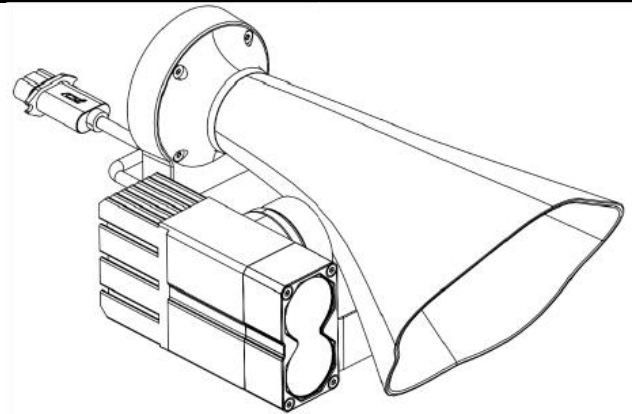
## Supported Products and Firmware Version:

---

### Update content

1. Added TTS fixed-point broadcast function (adapted for DJI RoboMaster).

(Chengzhi TTS Configuration File Generation Tool:  
<https://dev.gzczzn.com/tts-project-dev/#/>)



### Fix the issue

1. Resolved the issue of occasional inability to delete recorded files in General Payload Interface (GPI) mode.
2. Fixed some known issues.

### Known Issues

1. When playing an audio file during real-time shouting, the audio file does not play.

This issue will be fixed in the next version. The current workaround in the current version is to stop real-time shouting before playing the audio file if you want to switch to audio playback while in real-time shouting mode.

2. When switching to recording broadcasting while playing a song, the recording broadcasting does not play properly.

This issue will be fixed in the next version. The current workaround in the current version is to stop playing the song before switching to recording broadcasting if you want to switch from audio playback to recording broadcasting.

# LP12 Firmware Release Notes

---

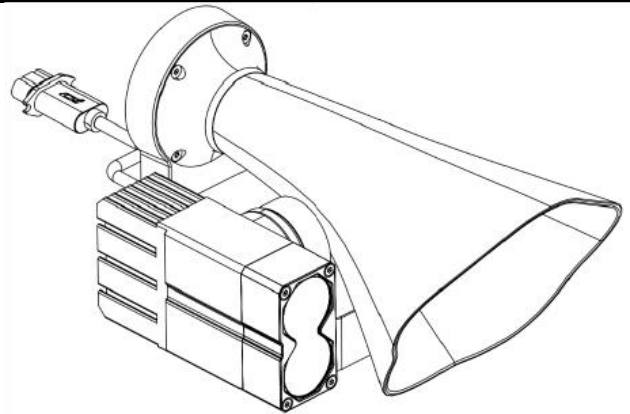
Release Date: 2023.03.29  
LP12 Firmware Version: LP12\_V03.01.03.06

## Supported Products and Firmware Version:

---

### Update content

1. Added the functionality to save TTS language selection and speech speed selection.
2. Added the functionality of General Payload Interface (GPI) for universal payload integration.



### Fix the issue

1. Fixed the issue of imported audio files not playing properly in the Pilot2 remote controller's audio list.
2. Audio peak reduction and noise reduction processing have been applied to real-time shouting and recording broadcasting.
3. Fixed some known issues.

### Known Issues

1. When playing an audio file during real-time shouting, the audio file does not play.  
This issue will be fixed in the next version. The current workaround in the current version is to stop real-time shouting before playing the audio file if you want to switch to audio playback while in real-time shouting mode.
2. When switching to recording broadcasting while playing a song, the recording broadcasting does not play properly.  
This issue will be fixed in the next version. The current workaround in the current version is to stop playing the song before switching to recording broadcasting if you want to switch from audio playback to recording broadcasting.
3. This version does not currently support the upgrade method for DJI Assistant 2 (Enterprise Series).



This issue will be fixed in the next version. The current workaround in the current version is to use the upgrade method via the Micro USB port on LP12.

**Attention:**

1.If the current version is lower than 03.01.03.02, please upgrade to 03.01.03.02 first. The firmware file size for upgrading to version 03.01.03.02 is over 80MB, which is much larger than other versions, so the upgrade process may take a longer waiting time. It is recommended to upgrade through a Micro USB cable connected to a computer, which may take approximately 2-3 minutes. If upgrading through DJI Assistant 2 (Enterprise Series), the upgrade time may be more than 30 minutes.

2.Please ensure that the aircraft battery level is above 50% during the upgrade process. LP12 will perform two restarts during the upgrade process. After the firmware upgrade is complete, there will be a voice broadcast when PSDK connection is successful.

# LP12 Firmware Release Notes

---

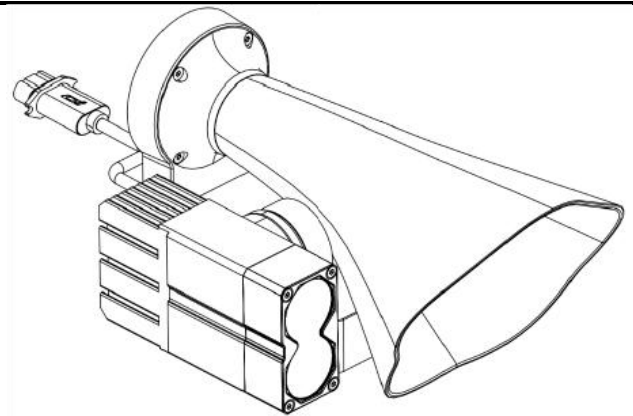
Release Date: 2022.12.09  
LP12 Firmware Version: LP12\_V03.01.03.04

## Supported Products and Firmware Version:

---

### Update content

1. Adapted for DJI M30 series unmanned aerial vehicles based on PSDK330\_1659. Version V05.01.00.00.
2. Added English version number announcement.



### Fix the issue

1. Fixed the issue of decreased volume when playing TTS and music in the ON state of the lights.

### Known Issues

1. Clicking on the audio file during real-time voice broadcasting does not play the audio file. This issue will be fixed in the next version. The current workaround is to stop the real-time voice broadcasting before playing the audio file if the user wants to switch to audio playback..
2. When switching from playing music to recorded broadcasting, the recorded broadcasting does not play properly.

This issue will be fixed in the next version. The current workaround in the current version is to stop the music playback before switching to recorded broadcasting.

3. Currently, the long text TTS has a limit of 300 Chinese characters for pure Chinese input, and a limit of 900 characters for pure English and character input.
4. Importing audio files in the Pilot2 remote controller's audio list does not play properly.

This issue will be fixed in the next version. The current workaround is as follows: If you need to play other audio files, please disconnect the LP12 searchlight broadcasting device from the M30 aircraft. Connect the LP12 searchlight broadcasting device to a computer's USB port using a micro USB data cable. Once the computer recognizes it as a USB drive, copy the desired audio files to the MUSIC folder. After copying is

complete, safely eject the USB drive and connect it to the OSDK port of the M30 aircraft. Start the aircraft to play the audio files.

**Attention:**

1.If the current version is lower than 03.01.03.02, please upgrade to 03.01.03.02 first. The firmware file size for upgrading to version 03.01.03.02 is over 80MB, which is much larger than other versions, so the upgrade process may take a longer waiting time. It is recommended to upgrade through a Micro USB cable connected to a computer, which may take approximately 2-3 minutes. If upgrading through DJI Assistant 2 (Enterprise Series), the upgrade time may be more than 30 minutes.

2.Please ensure that the aircraft battery level is above 50% during the upgrade process. LP12 will perform two restarts during the upgrade process. After the firmware upgrade is complete, there will be a voice broadcast when PSDK connection is successful.

# LP12 Firmware Release Notes

---

Release Date: 2022.11.20

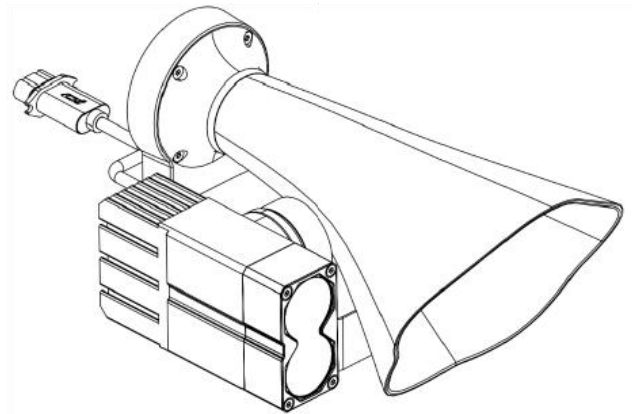
LP12 Firmware Version: LP12\_V03.01.03.03

## Supported Products and Firmware Version:

---

### Update content

1. Based on PSDK330\_1659, adapted for DJI M30 series drones, version V05.01.00.00.
2. Pilot2's long text TTS now supports language selection for playback, including Korean, Vietnamese, Hindi, Burmese, and other languages.



### Fix the issue

1. Fixed the issue of being unable to stop looping playback of recorded files within the PSDK text control.
2. Fixed the issue of abnormal real-time voice broadcasting and recorded broadcasting in DJI M30 series drones, version V05.01.00.00.

### Known Issues

1. Clicking on the audio file during real-time voice broadcasting does not play the audio file.  
This issue will be fixed in the next version. The current workaround is to stop the real-time voice broadcasting before playing the audio file if the user wants to switch to audio playback..
2. When switching from playing music to recorded broadcasting, the recorded broadcasting does not play properly.  
This issue will be fixed in the next version. The current workaround in the current version is to stop the music playback before switching to recorded broadcasting.
3. Currently, the long text TTS has a limit of 300 Chinese characters for pure Chinese input, and a limit of 900 characters for pure English and character input.
4. Importing audio files in the Pilot2 remote controller's audio list does not play properly.

This issue will be fixed in the next version. The current workaround is as follows: If you need to play other audio files, please disconnect the LP12 searchlight broadcasting device from the M30 aircraft. Connect the LP12 searchlight broadcasting device to a computer's USB port using a micro USB data cable. Once the computer recognizes it as a USB drive, copy the desired audio files to the MUSIC folder. After copying is complete, safely eject the USB drive and connect it to the OSDK port of the M30 aircraft. Start the aircraft to play the audio files.

### **Attention:**

1.If the current version is lower than 03.01.03.02, please upgrade to 03.01.03.02 first. The firmware file size for upgrading to version 03.01.03.02 is over 80MB, which is much larger than other versions, so the upgrade process may take a longer waiting time. It is recommended to upgrade through a Micro USB cable connected to a computer, which may take approximately 2-3 minutes. If upgrading through DJI Assistant 2 (Enterprise Series), the upgrade time may be more than 30 minutes.

2.Please ensure that the aircraft battery level is above 50% during the upgrade process. LP12 will perform two restarts during the upgrade process. After the firmware upgrade is complete, there will be a voice broadcast when PSDK connection is successful.

# LP12 Firmware Release Notes

---

Release Date: 2022.09.02

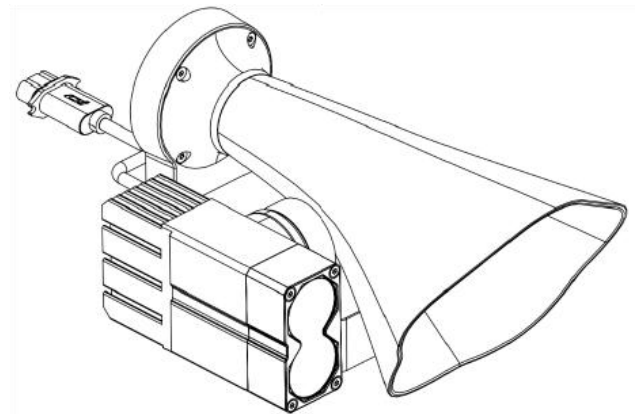
LP12 Firmware Version: LP12\_V03.01.03.02

## Supported Products and Firmware Version:

---

### Update content

1. Based on PSDK320\_1540, it supports real-time voice broadcasting and recorded voice broadcasting.
2. Pilot2 supports long text TTS with the option to select language for playback, including dialects and multiple foreign languages.
3. The PSDK floating window adds current volume display and version information.
4. The upgrade process now includes language broadcasting, which will take effect in the next version upgrade.
5. Successful PSDK connection will trigger a voice broadcast.
6. Added GPS time acquisition, and the correct time will be recorded in the Log after being obtained.



### Fix the issue

1. Fixed the issue of inconsistent playback status in Pilot2's long text TTS.
2. Fixed the issue of PSDK disconnection caused by unsuccessful audio amplification for some foreign clients.
3. Fixed the issue of LP12 being unable to retrieve Log logs through the Micro USB port.
4. Fixed the issue of the USB flash drive becoming read-only due to upgrade errors.

### Known Issues

1. Clicking on the audio file during real-time voice broadcasting does not play the audio file.

This issue will be fixed in the next version. The current workaround is to stop the real-time voice broadcasting before playing the audio file if the user wants to switch to audio playback.

2. When switching from playing music to recorded broadcasting, the recorded broadcasting does not play properly.

This issue will be fixed in the next version. The current workaround in the current version is to stop the music playback before switching to recorded broadcasting.

3. Currently, the long text TTS has a character limit of 300 Chinese characters for pure Chinese input and 900 characters for pure English and character input.

### **Attention:**

1.If the current version is lower than 03.01.03.02, please upgrade to 03.01.03.02 first. The firmware file size for upgrading to version 03.01.03.02 is over 80MB, which is much larger than other versions, so the upgrade process may take a longer waiting time. It is recommended to upgrade through a Micro USB cable connected to a computer, which may take approximately 2-3 minutes. If upgrading through DJI Assistant 2 (Enterprise Series), the upgrade time may be more than 30 minutes.

2.Please ensure that the aircraft battery level is above 50% during the upgrade process. LP12 will perform two restarts during the upgrade process. After the firmware upgrade is complete, there will be a voice broadcast when PSDK connection is successful.

# LP12 Firmware Release Notes

---

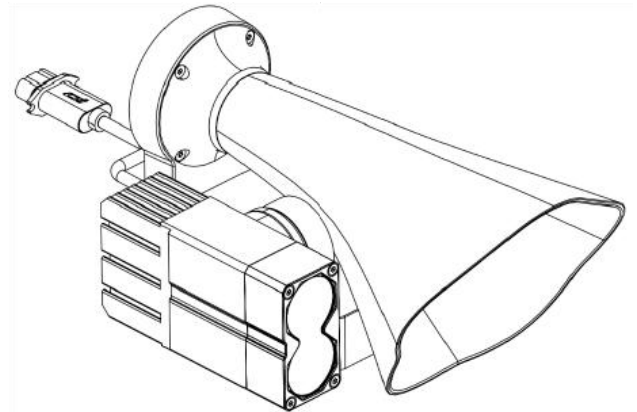
Release Date: 2022.06.07  
LP12 Firmware Version: LP12\_V03.01.02.17

## Supported Products and Firmware Version:

---

### Update content

1. Added real-time voice broadcasting function, which requires pilot2 to be updated to support. It is expected that pilot2 will support the voice broadcasting function by the end of June 2022.
2. Added long text TTS (Text-to-Speech) function, which requires pilot2 to be updated to support. It is expected that pilot2 will support the long text TTS function by the end of June 2022.



### Fix the issue

1. Resolved the issue of potential interference with the drone's IMU when playing certain high-frequency and concentrated songs.
2. Resolved the issue of potential speaker damage when playing certain types of noisy songs for extended periods.
3. Fixed other known issues.