

FL60 Firmware Release Notes

Release Date: 2024.09.25

FL60 Firmware Version: FL60_V01.00.07.02

Supported Products and Firmware Version:

M300 RTK + DJI Smart ControllerEnterprise

Aircraft firmware: V09.00.05.03

Remote control firmware: V09.00.05.01

DJI Pilot 2 App: V9.0.5.5

M300 RTK + DJI RC Plus

Aircraft firmware: V60.01.00.03

Remote control firmware: V05.02.11.06

DJI Pilot 2 App: V10.1.0.30

M350 RTK + DJI RC Plus

Aircraft firmware: V10.01.00.09

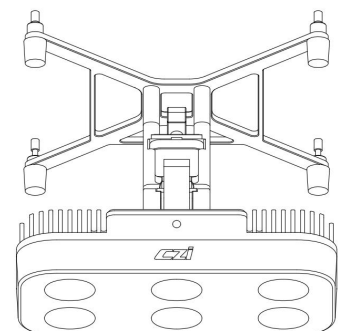
Remote control firmware: V05.02.11.06

DJI Pilot 2 App: V10.1.0.30

What has been updated?

1.By introducing a delayed start for the USB configuration script, we have implemented a USB device detection and reconfiguration mechanism in case of failure. This addresses the issue of the M300 aircraft + RC PLUS failing to recognize the FL60 payload.

2.The issue where the floating window's display status was incorrect has been fixed.



List of known problems

Known Issues	Solution
The FL60 hot swap is unable to function properly when connected to M300 (v09.00.05.03/v60.01.00.03).	Connect the FL60 to the M300 first, then power on the M300 aircraft.

FL60 Firmware Release Notes

Release Date: 2024.07.29

FL60 Firmware Version: FL60_V01.00.06.00

Supported Products and Firmware Version:

M300 RTK + DJI Smart ControllerEnterprise

Aircraft firmware: V09.00.05.03

Remote control firmware: V09.00.05.01

DJI Pilot 2 App: V9.0.5.5

M300 RTK + DJI RC Plus

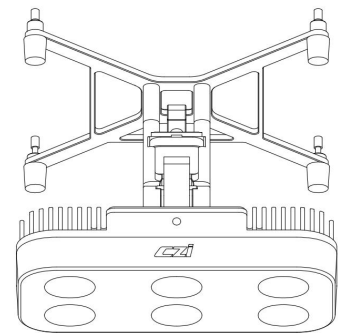
Aircraft firmware: V60.01.00.03

Remote control firmware: V05.02.11.06

DJI Pilot 2 App: V10.1.0.30

What has been updated?

1. Based on DJI PSDK 3.9.1_2090, compatible with the latest aircraft firmware.
2. New feature: power-off saving mode.



FL60 Firmware Release Notes

Release Date: 2024.05.27
FL60 Firmware Version: FL60_V01.00.05.00

Supported Products and Firmware Version:

M300 RTK + DJI Smart ControllerEnterprise

Aircraft firmware: V09.00.05.03

Remote control firmware: V09.00.05.01

DJI Pilot 2 App: V9.0.5.5

M300 RTK + DJI RC Plus

Aircraft firmware: V60.00.01.07

Remote control firmware: V03.02.09.08

DJI Pilot 2 App: V10.0.6.12

What has been updated?

1. Modified the startup script logic.
2. Added a fixture testing program.
3. Voltage protection range adjusted, modified wide-voltage adapter power bank, expanded voltage protection range.

