

LP20 Firmware Release Notes

Release Date: 2025.01.06
LP20 Firmware Version: LP20_V02.00.02.09

Supported Products and Firmware Version:

Czi Assistant: V1.0.45

DJI Dock 2

Airport firmware: V10.01.32.05

Aircraft firmware: V02.01.05.17

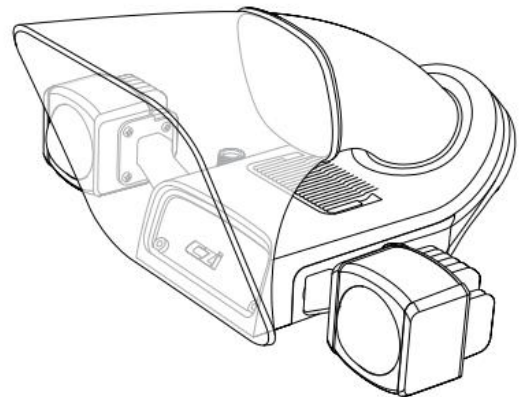
DJI Pilot 2 App: V10.1.8.17

What has been updated?

1. Optimize the steering gear to follow the lag.
2. Fix the looped audio file, which needs to be clicked twice to stop playing.

Notice

1. Only when the searchlight is turned on, it will follow the camera movement; If it is not enabled, it will not follow.
2. When the latest airport firmware V10.01.32.05 is used for flight test, the speed limit will be 1-2m per second during ascent (normal with the old firmware V10.01.16.07).
3. Cheng to assistant renamed special symbol (@#¥!)The audio cannot be played properly after being uploaded.



LP20 Firmware Release Notes

Release Date: 2024.12.31
LP20 Firmware Version: LP20_V02.00.02.08

Supported Products and Firmware Version:

Czi Assistant: V1.0.45

DJI Dock 2

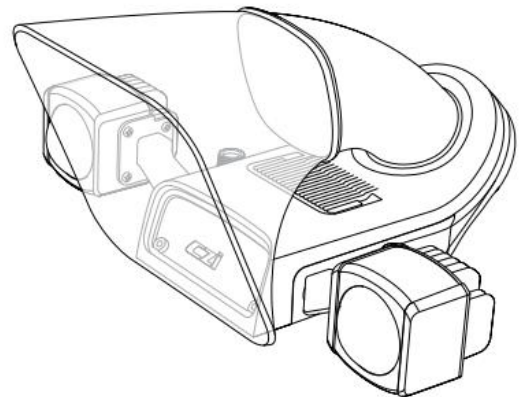
Airport firmware: V10.01.32.05

Aircraft firmware: V02.01.05.17

DJI Pilot 2 App: V10.1.8.17

What has been updated?

1. Updated PSDK version V3.9.2-2125.
2. Repair failure of alarm searchlight function due to frequent operation.



Notice

1. Only when the searchlight is turned on, it will follow the camera movement; If it is not enabled, it will not follow.
2. When the latest airport firmware V10.01.32.05 is used for flight test, the speed limit will be 1-2m per second during ascent (normal with the old firmware V10.01.16.07).
3. Cheng to assistant renamed special symbol (@#¥!)The audio cannot be played properly after being uploaded.

LP20 Firmware Release Notes

Release Date: 2024.11.04
LP20 Firmware Version: LP20_V02.00.02.07

Supported Products and Firmware Version:

Czi Assistant: V1.0.45

DJI Dock 2

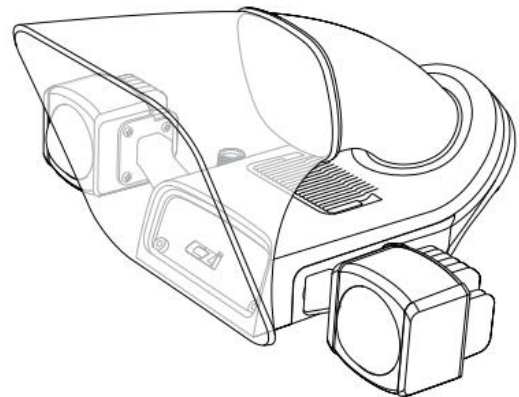
Airport firmware: V10.01.32.05

Aircraft firmware: V02.01.05.15

DJI Pilot 2 App: V10.1.8.1

What has been updated?

1. Add TTS language speed saving.
2. Optimize the TTS language sequence.
3. Added the Chinese/English switching function in the suspension window.
4. Optimize searchlight motion logic.



Notice

1. Only when the searchlight is turned on, it will follow the camera movement; If it is not enabled, it will not follow.
2. When the latest airport firmware V10.01.32.05 is used for flight test, the speed limit will be 1-2m per second during ascent (normal with the old firmware V10.01.16.07).
3. Cheng to assistant renamed special symbol (@#¥!)The audio cannot be played properly after being uploaded.